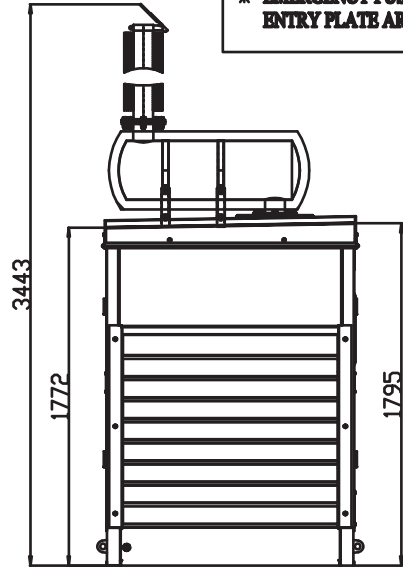


4K1080TA  
125KVA

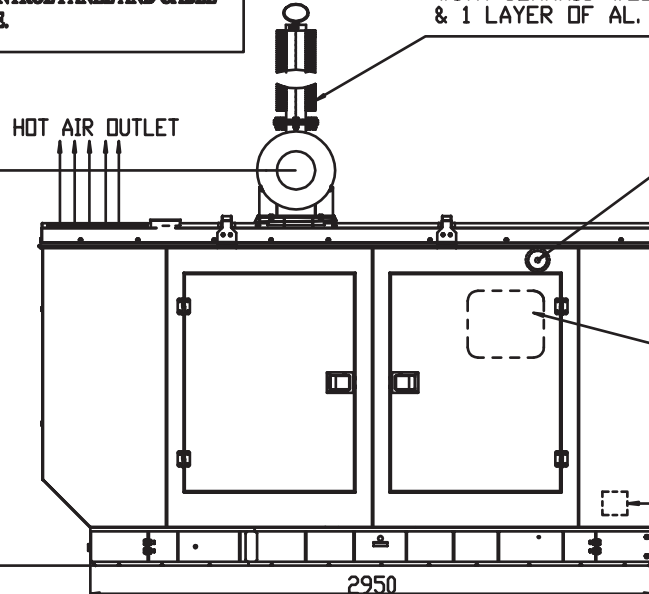
**NOTES:**  
\* EMERGENCY PUSH BUTTON, CONTROL PANEL AND CABLE ENTRY PLATE ARE IN REAR SIDE.

TAIL PIPE & SILENCER TO BE CLADDED WITH CERAMIC WOOL 50mm THICK (64 DENSITY) & 1 LAYER OF AL. SHEET 0.8mm THK.

| REV | DESCRIPTION |
|-----|-------------|
| 00  | NEW RELEASE |



VIEW FROM ALT SIDE



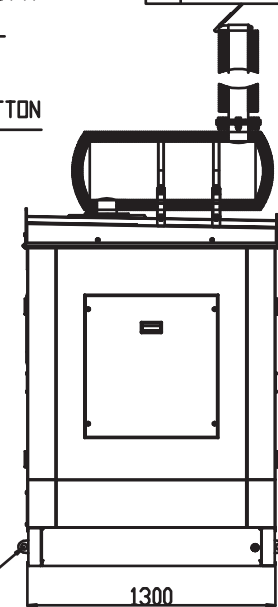
VIEW FROM FRONT

\* EMERGENCY PUSH BUTTON

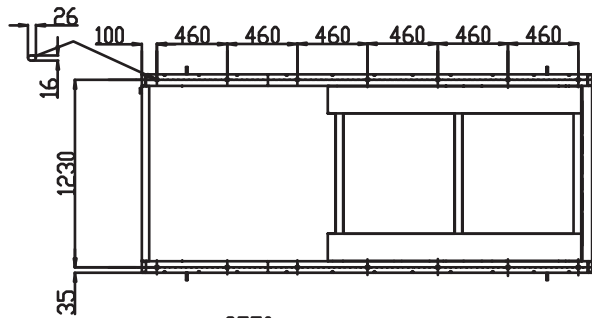
\* CUT OUT FOR CONTROL PANEL

FRESH AIR INLET

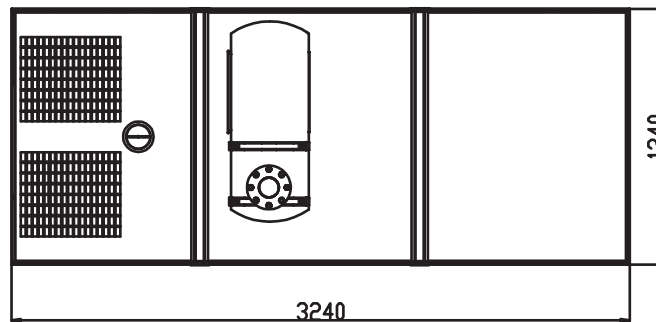
HOOK TO LIFT GENSET



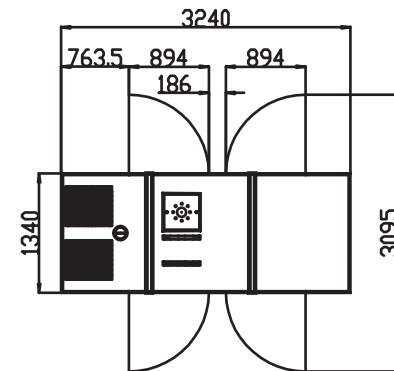
VIEW FROM ENGINE SIDE



FOUNDATION LAYOUT



VIEW FROM TOP



INSTALLATION PLAN FOR OPEN DOOR

**NOTES:**

1. FUEL TANK CAPACITY: 230 LITRES.
2. HEIGHT OF FOUNDATION ABOVE FFL CAN BE MODIFIED DEPENDING UPON WATER STAGNATION.
3. DEPTH BELOW FFL DEPEND UPON THE SOIL CONDITION.
4. APPROX DEPTH BELOW FFL = 500MM.
5. PPC OR RCC SHALL BE BASED ON SOIL CONDITION.
6. LENGTH OF THE GENSET = 3240MM (10.62).
7. WIDTH OF THE GENSET = 1340MM (4.39ft).
8. HEIGHT OF THE GENSET = 3443MM (11.29ft).

IF IN DOUBT ASK

FORMS BY  
PREVIOUS REVISION NO.  
SHALL BE SUPPLIED

THIS DRAWING IS PROPERTY OF SUNBEAM GENERATOR PVT LTD. AND SHALL BE RETURNED TO THE COMPANY IMMEDIATELY ON DEMAND. IT IS NOT TO BE REPRODUCED OR COPIED IN ANY FORM OR BY ANY MEANS WITHOUT THE WRITTEN PERMISSION OF SUNBEAM GENERATOR PVT LTD.

| UNDESIGNED   |      | DESIGNED |      | CHECKED  |      | APPROVED                  |      |
|--|------|----------|------|--|------|---------------------------|------|
| NO   | DATE | NO       | DATE | NO   | DATE | NO                        | DATE |
|  |      |          |      |  |      |                           |      |
| <b>UNDESIGNED</b><br>ALL DIMENSIONS ARE IN MM UNLESS SPECIFIED OTHERWISE.<br>DIMENSIONS OF HOLES ARE TO BE TAKEN TO THE CENTER UNLESS SPECIFIED OTHERWISE.<br>DIMENSIONS OF ROUNDS ARE TO BE TAKEN TO THE CENTER UNLESS SPECIFIED OTHERWISE.<br>DIMENSIONS OF CHAMFERS AND UNDERCUTS ARE TO BE TAKEN TO THE CENTER UNLESS SPECIFIED OTHERWISE. |      |          |      | NO. OF SHEETS: 2<br>SHEET NO.: 1 OF 2          |      | DATE: 05/07/2014          |      |
| NAME: CHINFER UNDERCUT:  |      |          |      | PROJECT NO.:<br>SHEET NO.:                     |      | DRAWING NO.:<br>REV. NO.: |      |
| SUNBEAM GENERATOR PVT LTD.,<br>PONDICHERY (INDIA)  |      |          |      | TYPE: 4K1080TA<br>TITLE: 125 KVA GENSET LAYOUT |      | REV. 00                   |      |